

Coaxial 90° – European footprint, sizes DE – DC, with plastic bracket

75 Ohm part numbers with plastic bracket and captive nut M3

75 Ohm part numbers with plastic bracket with bushing dia. 3,05

75 Ohm part numbers with plastic bracket with post M3

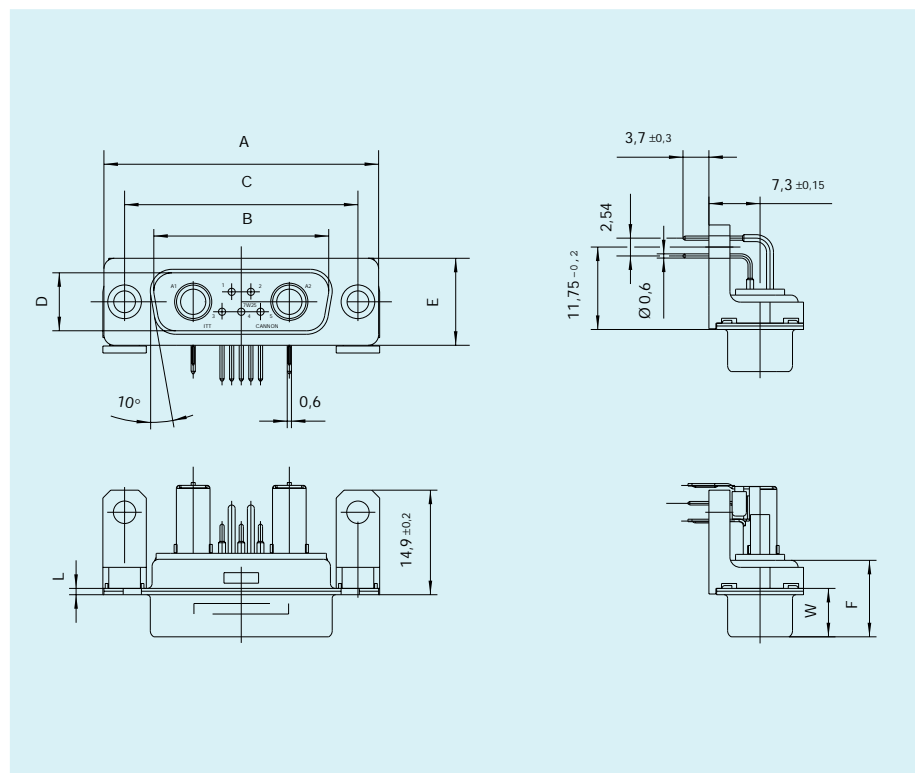
Shell size	Layout	P/N without pushfit	P/N with pushfit	P/N without pushfit	P/N with pushfit	P/N without pushfit	P/N with pushfit
DE	5W1	DEM-5C1P-1ATN-A191-K87	DEM-5C1P-1ATN-A191-K87-146	DEM-5C1P-1A5N-A191-K87	DEM-5C1P-1A5N-A191-K87-146	DEM-5C1P-1APN-A191-K87	DEM-5C1P-1APN-A191-K87-146
DA	7W2	DAM-7C2P-1ATN-A191-K87	DAM-7C2P-1ATN-A191-K87-146	DAM-7C2P-1A5N-A191-K87	DAM-7C2P-1A5N-A191-K87-146	DAM-7C2P-1APN-A191-K87	DAM-7C2P-1APN-A191-K87-146
DA	11W1	DAM-11C1P-1ATN-A191-K87	DAM-11C1P-1ATN-A191-K87-146	DAM-11C1P-1A5N-A191-K87	DAM-11C1P-1A5N-A191-K87-146	DAM-11C1P-1APN-A191-K87	DAM-11C1P-1APN-A191-K87-146
DA	3W3	DAM-3C3P-1ATN-A191-K87	DAM-3C3P-1ATN-A191-K87-146	DAM-3C3P-1A5N-A191-K87	DAM-3C3P-1A5N-A191-K87-146	DAM-3C3P-1APN-A191-K87	DAM-3C3P-1APN-A191-K87-146
DA	3WK3	DAM-3CK3P-1ATN-A191-K87	DAM-3CK3P-1ATN-A191-K87-146	DAM-3CK3P-1A5N-A191-K87	DAM-3CK3P-1A5N-A191-K87-146	DAM-3CK3P-1APN-A191-K87	DAM-3CK3P-1APN-A191-K87-146
DB	5W5	DBM-5C5P-1ATN-A191-K87	DBM-5C5P-1ATN-A191-K87-146	DBM-5C5P-1A5N-A191-K87	DBM-5C5P-1A5N-A191-K87-146	DBM-5C5P-1APN-A191-K87	DBM-5C5P-1APN-A191-K87-146
DB	9W4	DBM-9C4P-1ATN-A191-K87	DBM-9C4P-1ATN-A191-K87-146	DBM-9C4P-1A5N-A191-K87	DBM-9C4P-1A5N-A191-K87-146	DBM-9C4P-1APN-A191-K87	DBM-9C4P-1APN-A191-K87-146
DB	13W3	DBM-13C3P-1ATN-A191-K87	DBM-13C3P-1ATN-A191-K87-146	DBM-13C3P-1A5N-A191-K87	DBM-13C3P-1A5N-A191-K87-146	DBM-13C3P-1APN-A191-K87	DBM-13C3P-1APN-A191-K87-146
DB	17W2	DBM-17C2P-1ATN-A191-K87	DBM-17C2P-1ATN-A191-K87-146	DBM-17C2P-1A5N-A191-K87	DBM-17C2P-1A5N-A191-K87-146	DBM-17C2P-1APN-A191-K87	DBM-17C2P-1APN-A191-K87-146
DB	21W1	DBM-21C1P-1ATN-A191-K87	DBM-21C1P-1ATN-A191-K87-146	DBM-21C1P-1A5N-A191-K87	DBM-21C1P-1A5N-A191-K87-146	DBM-21C1P-1APN-A191-K87	DBM-21C1P-1APN-A191-K87-146
DC	8W8	DCM-8C8P-1ATN-A191-K87	DCM-8C8P-1ATN-A191-K87-146	DCM-8C8P-1A5N-A191-K87	DCM-8C8P-1A5N-A191-K87-146	DCM-8C8P-1APN-A191-K87	DCM-8C8P-1APN-A191-K87-146
DC	13W6	DCM-13C6P-1ATN-A191-K87	DCM-13C6P-1ATN-A191-K87-146	DCM-13C6P-1A5N-A191-K87	DCM-13C6P-1A5N-A191-K87-146	DCM-13C6P-1APN-A191-K87	DCM-13C6P-1APN-A191-K87-146
DC	17W5	DCM-17C5P-1ATN-A191-K87	DCM-17C5P-1ATN-A191-K87-146	DCM-17C5P-1A5N-A191-K87	DCM-17C5P-1A5N-A191-K87-146	DCM-17C5P-1APN-A191-K87	DCM-17C5P-1APN-A191-K87-146
DC	21WA4	DCM-21CA4P-1ATN-A191-K87	DCM-21CA4P-1ATN-A191-K87-146	DCM-21CA4P-1A5N-A191-K87	DCM-21CA4P-1A5N-A191-K87-146	DCM-21CA4P-1APN-A191-K87	DCM-21CA4P-1APN-A191-K87-146
DC	25W3	DCM-25C3P-1ATN-A191-K87	DCM-25C3P-1ATN-A191-K87-146	DCM-25C3P-1A5N-A191-K87	DCM-25C3P-1A5N-A191-K87-146	DCM-25C3P-1APN-A191-K87	DCM-25C3P-1APN-A191-K87-146
DC	27W2	DCM-27C2P-1ATN-A191-K87	DCM-27C2P-1ATN-A191-K87-146	DCM-27C2P-1A5N-A191-K87	DCM-27C2P-1A5N-A191-K87-146	DCM-27C2P-1APN-A191-K87	DCM-27C2P-1APN-A191-K87-146

For performance class 1 replace A191 with A190.
For performance class 3 delete A191.

For 50 ohm coaxial replace C with X, Example:
DCM-13C6P-1AFN-A191-K87-146 becomes
DCM-13X6P-1AFN-A191-K87-146.

For pushfit 90° pcb hole diameter 3,2 mm replace 146 with 162. For captive nut 4-40UNC replace 1A9N with 1A7N and 1AHN with 1A8N.

Pin



- For contact cavity arrangements, see page 52.
- For pcb hole pattern, see page 54 – 56.
- For mounting methods, see page 86 – 87.
- For panel cut-outs, see our D Subminiature catalogue.
- For contact arrangements in shell size DD please refer to our D Subminiature catalogue.

Dimensions

Shell size	A ± 0,38	B ± 0,13	C ± 0,13	D ± 0,13	E ± 0,13	F ± 0,25	L + 0,2	W ± 0,4
DE	30,8	16,9	25	8,35	12,55	10,7	0,8	6,7
DA	39,15	25,25	33,3	8,35	12,55	10,7	0,8	6,7
DB	53,05	38,95	47,05	8,35	12,55	10,8	0,9	6,8
DC	69,3	55,4	63,5	8,35	12,55	10,8	0,9	6,8